

# SDcAD-R42060 6" Area Drain

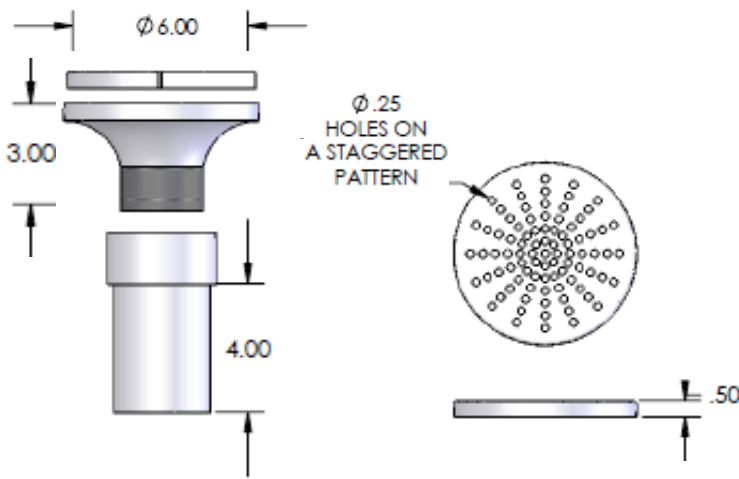
StainlessDrains.com Area Drains are ideal for low to medium flow areas. All drains meet the U.S. FDA Standards and are corrosion resistant.

**Typical Applications:** Kitchens, Restrooms, Showers and wet areas, interior overflow applications

**ENGINEERING SPECIFICATION:** StainlessDrains.com SDcAD-R42060 6" Round Area Drain, 12 Gauge, 304 Stainless Steel, Adjustable Outlet



<b>Standard Outlet Size</b>
2" - 3" - 4"



\*\*\*ALL DIMENSIONS ARE NOMINAL DIMENSIONS AND ARE SUBJECT TO CHANGE\*\*\*

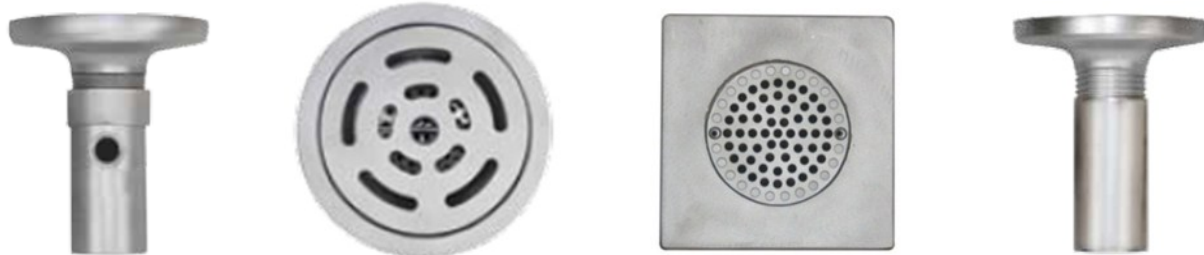
### DRAIN OPTIONS:

- 316 Stainless Steel
- 1/2" Primer Tap Connection
- Schedule 10 or Schedule 40 Outlet
- Anchor Flange with Seepage Holes and Clamp Device
- Non-Adjustable Outlet
- No Hub or TY Seal Connection

### GRATE OPTIONS:

- Square Top
- 12 Gauge Light Duty Perforated Grate
- Heavy Duty 3/8" Slotted Grate
- 1/2 Grate
- 3/4 Grate
- Vandal Resistant Secured Grate

**NOTE:** Area Drains can be customized to meet specific requirements.



# SDcAD-R42080 8" Area Drain

StainlessDrains.com Area Drains are ideal for low to medium flow areas. All drains meet the U.S. FDA Standards and are corrosion resistant.

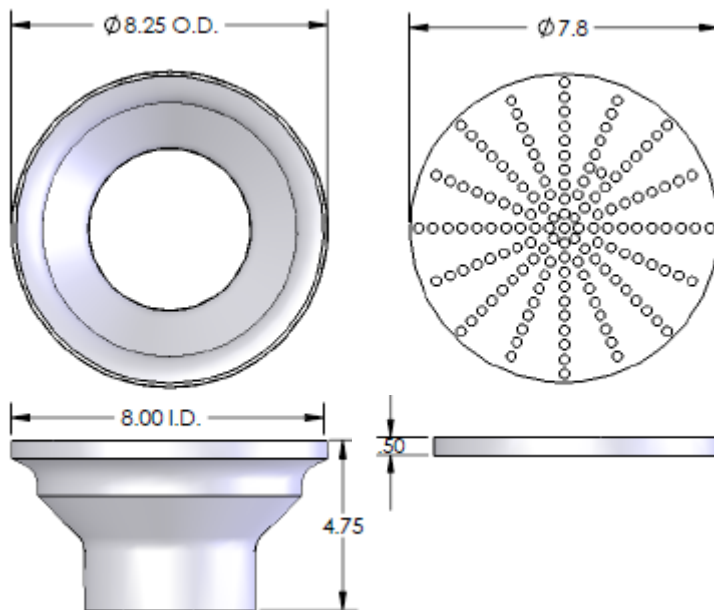
**Typical Applications:** Kitchens, Restrooms, Showers and wet areas, interior overflow applications

**ENGINEERING SPECIFICATION:** StainlessDrains.com  
SDcAD-R42080 8" Round Area Drain, 12 Gauge, 304 Stainless Steel



Standard Outlet Size

3" - 4"



## DRAIN OPTIONS:

- 316 Stainless Steel
- 1/2" Primer Tap Connection
- Schedule 10 or Schedule 40 Outlet
- Anchor Flange with Seepage Holes and Clamp Device
- Adjustable Threaded Outlet
- No Hub or TY Seal Connection

## GRATE OPTIONS:

- Square Top
- 12 Gauge Light Duty Perforated Grate
- Heavy Duty 3/8" Slotted Grate
- 1/2 Grate
- 3/4 Grate
- Vandal Resistant Secured Grate

\*\*\*ALL DIMENSIONS ARE NOMINAL DIMENSIONS  
AND ARE SUBJECT TO CHANGE\*\*\*

**NOTE:** Area Drains can be customized to meet specific requirements.

