

# SDcDS-R42120-08 Round Deep Sump Drain, 8" Sump Depth

Deep Sump Drains are designed for applications with a continuous heavy flow and/or debris-laden fluids.

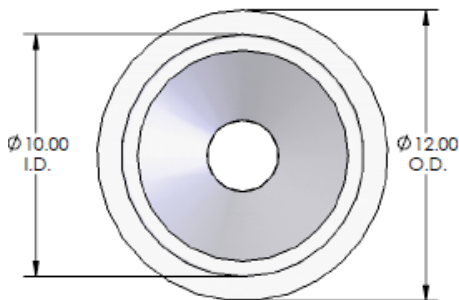
**Typical Applications:** Meat Processing/Packing Plants, Dairies, Food Processing Plants, Beverage or Bottling Plants, Chemical and Hazardous Waste Plants, and Industrial Kitchens.

**ENGINEERING SPECIFICATION:** StainlessDrains.com  
SDcDS-R42120-08 12" Round Deep Sump Drain, 8" Sump Depth, 12 Gauge, 304 Stainless Steel with sediment basket.



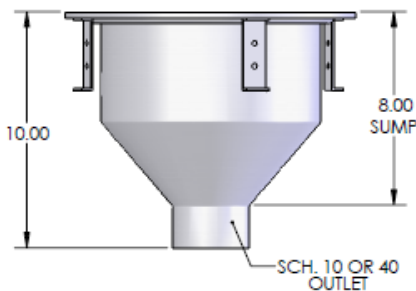
Standard Outlet Size

3" - 4" - 6"



## DRAIN OPTIONS:

- 316 Stainless Steel
- 1/2" Primer Tap Connection
- Double Sediment Basket
- Anchor Flange with Seepage Holes and Clamp Device
- Schedule 10 or Schedule 40 Outlet
- Adjustable Threaded Outlet (*available in 3", 4" or 6"*)
- Side Outlet

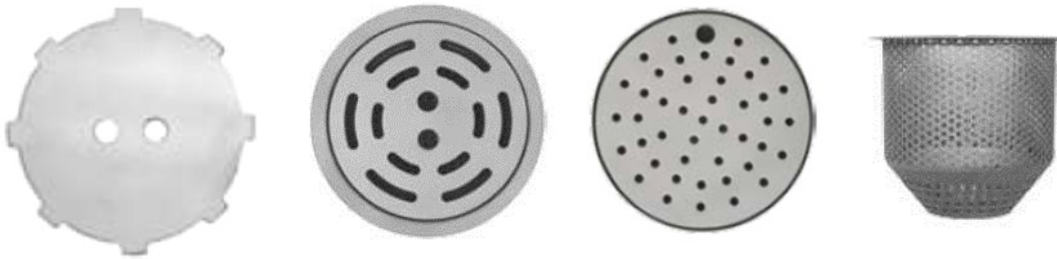


## GRATE OPTIONS:

- 12 Gauge Light Duty Perforated Grate
- Medium Duty 1/4" Plate Slotted or Perimeter Gap
- Heavy Duty 1/2" Plate Slotted or Perimeter Gap (*forklift rated*)
- 1/2 Grate
- 3/4 Grate

\*\*\*ALL DIMENSIONS ARE NOMINAL DIMENSIONS AND ARE SUBJECT TO CHANGE\*\*\*

**NOTE:** Deep Sump Drains can be customized to meet specific requirements.



# SDcDS-Q42120-08 Square Deep Sump Drain, 8" Sump Depth

Deep Sump Drains are designed for applications with a continuous heavy flow and/or debris-laden fluids.

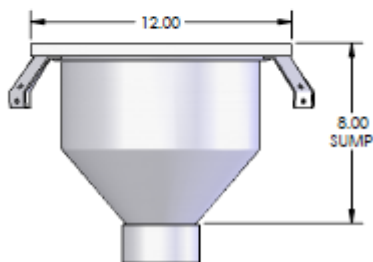
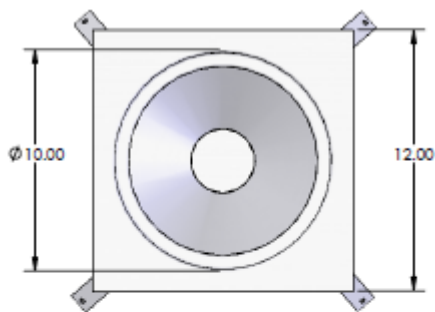
**Typical Applications:** Meat Processing/Packing Plants, Dairies, Food Processing Plants, Beverage or Bottling Plants, Chemical and Hazardous Waste Plants, and Industrial Kitchens.

**ENGINEERING SPECIFICATION:** StainlessDrains.com  
SDcDS-Q42120-08 12" Square Deep Sump Drain, 8" Sump Depth, 12 Gauge, 304 Stainless Steel with sediment basket.



Standard Outlet Size

3" - 4" - 6"



## DRAIN OPTIONS:

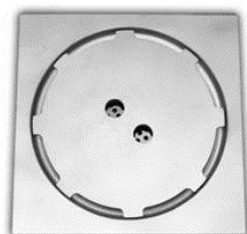
- 316 Stainless Steel
- 1/2" Primer Tap Connection
- Double Sediment Basket
- Anchor Flange with Seepage Holes and Clamp Device
- Schedule 10 or Schedule 40 Outlet
- Adjustable Threaded Outlet (*available in 3", 4" or 6"*)
- Side Outlet

## GRATE OPTIONS:

- 12 Gauge Light Duty Perforated Grate
- Medium Duty 1/4" Plate Slotted or Perimeter Gap
- Heavy Duty 1/2" Plate Slotted or Perimeter Gap (*forklift rated*)
- 1/2 Grate
- 3/4 Grate

\*\*\*ALL DIMENSIONS ARE NOMINAL DIMENSIONS  
AND ARE SUBJECT TO CHANGE\*\*\*

**NOTE:** Deep Sump Drains can be customized to meet specific requirements.



# SDcDS-R42120-10 Round Deep Sump Drain, 10" Sump Depth

Deep Sump Drains are designed for applications with a continuous heavy flow and/or debris-laden fluids.

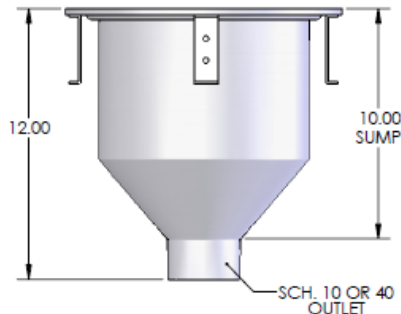
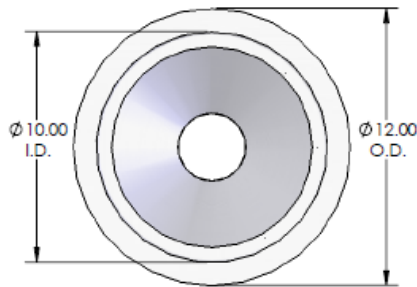
**Typical Applications:** Meat Processing/Packing Plants, Dairies, Food Processing Plants, Beverage or Bottling Plants, Chemical and Hazardous Waste Plants, and Industrial Kitchens.

**ENGINEERING SPECIFICATION:** StainlessDrains.com  
SDcDS-R42120-10 12" Round Deep Sump Drain, 10" Sump Depth, 12 Gauge, 304 Stainless Steel with sediment basket.



Standard Outlet Size

3" - 4" - 6"



## DRAIN OPTIONS:

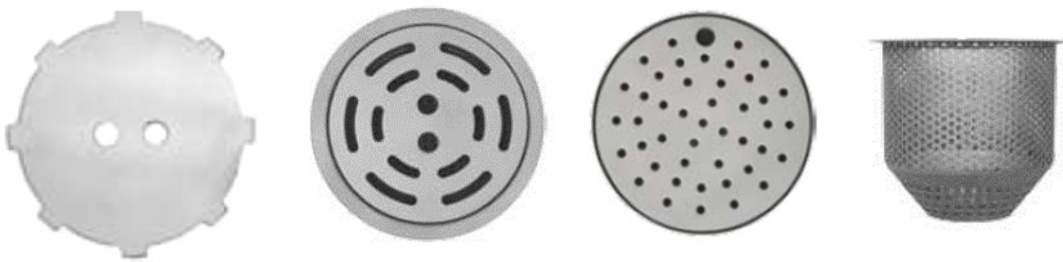
- 316 Stainless Steel
- 1/2" Primer Tap Connection
- Double Sediment Basket
- Anchor Flange with Seepage Holes and Clamp Device
- Schedule 10 or Schedule 40 Outlet
- Adjustable Threaded Outlet (*available in 3", 4" or 6"*)
- Side Outlet

## GRATE OPTIONS:

- 12 Gauge Light Duty Perforated Grate
- Medium Duty 1/4" Plate Slotted or Perimeter Gap
- Heavy Duty 1/2" Plate Slotted or Perimeter Gap (*forklift rated*)
- 1/2 Grate
- 3/4 Grate

\*\*\*ALL DIMENSIONS ARE NOMINAL DIMENSIONS AND ARE SUBJECT TO CHANGE\*\*\*

**NOTE:** Deep Sump Drains can be customized to meet specific requirements.

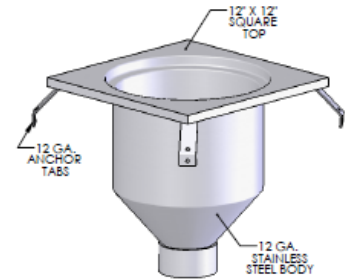


# SDcDS-Q42120-10 Square Deep Sump Drain, 10" Sump Depth

Deep Sump Drains are designed for applications with a continuous heavy flow and/or debris-laden fluids.

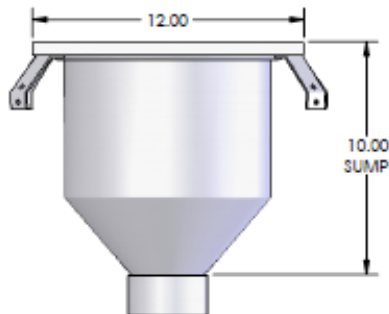
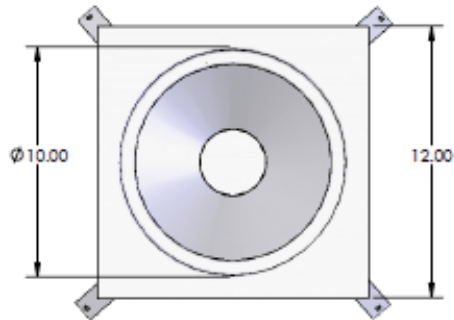
**Typical Applications:** Meat Processing/Packing Plants, Dairies, Food Processing Plants, Beverage or Bottling Plants, Chemical and Hazardous Waste Plants, and Industrial Kitchens.

**ENGINEERING SPECIFICATION:** StainlessDrains.com  
SDcDS-Q42120-10 12" Square Deep Sump Drain, 10" Sump Depth, 12 Gauge, 304 Stainless Steel with sediment basket.



Standard Outlet Size

3" - 4" - 6"



## DRAIN OPTIONS:

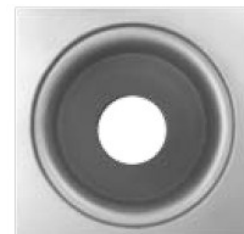
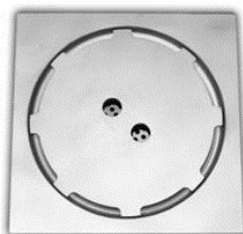
- 316 Stainless Steel
- 1/2" Primer Tap Connection
- Double Sediment Basket
- Anchor Flange with Seepage Holes and Clamp Device
- Schedule 10 or Schedule 40 Outlet
- Adjustable Threaded Outlet (*available in 3", 4" or 6"*)
- Side Outlet

## GRATE OPTIONS:

- Square or Round Grate
- 12 Gauge Light Duty Perforated Grate
- Medium Duty 1/4" Plate Slotted or Perimeter Gap
- Heavy Duty 1/2" Plate Slotted or Perimeter Gap (*forklift rated*)
- 1/2 Grate
- 3/4 Grate

\*\*\*ALL DIMENSIONS ARE NOMINAL DIMENSIONS AND ARE SUBJECT TO CHANGE\*\*\*

**NOTE:** Deep Sump Drains can be customized to meet specific requirements.



# SDcDS-R42120-12 Round Deep Sump Drain, 12" Sump Depth

Deep Sump Drains are designed for applications with a continuous heavy flow and/or debris-laden fluids.

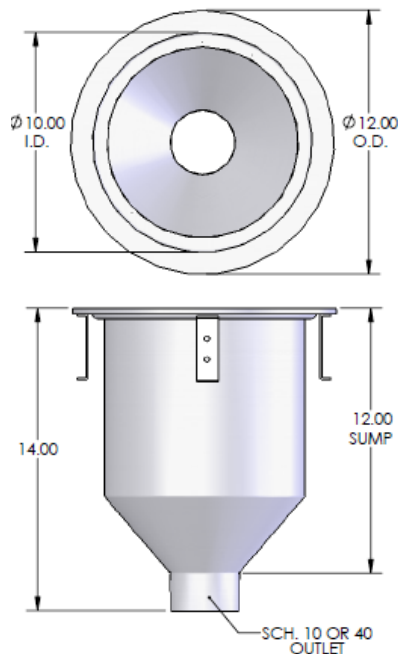
**Typical Applications:** Meat Processing/Packing Plants, Dairies, Food Processing Plants, Beverage or Bottling Plants, Chemical and Hazardous Waste Plants, and Industrial Kitchens.

**ENGINEERING SPECIFICATION:** StainlessDrains.com  
SDcDS-R42120-12 12" Round Deep Sump Drain, 12" Sump Depth, 12 Gauge, 304 Stainless Steel with sediment basket.



Standard Outlet Size

3" - 4" - 6"



## DRAIN OPTIONS:

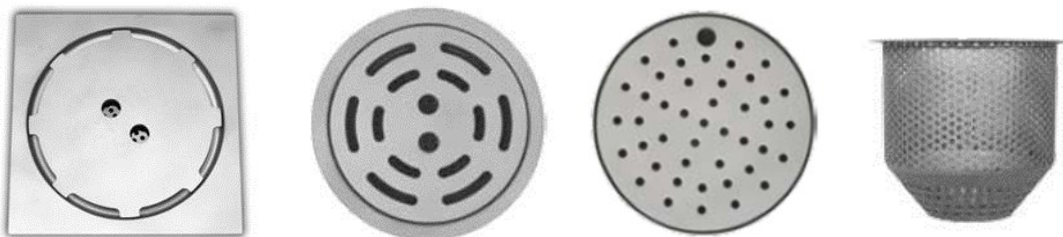
- 316 Stainless Steel
- 1/2" Primer Tap Connection
- Double Sediment Basket
- Anchor Flange with Seepage Holes and Clamp Device
- Schedule 10 or Schedule 40 Outlet
- Adjustable Threaded Outlet (*available in 3", 4" or 6"*)
- Side Outlet

## GRATE OPTIONS:

- 12 Gauge Light Duty Perforated Grate
- Medium Duty 1/4" Plate Slotted or Perimeter Gap
- Heavy Duty 1/2" Plate Slotted or Perimeter Gap (*forklift rated*)
- 1/2 Grate
- 3/4 Grate

\*\*\*ALL DIMENSIONS ARE NOMINAL DIMENSIONS AND ARE SUBJECT TO CHANGE\*\*\*

**NOTE:** Deep Sump Drains can be customized to meet specific requirements.

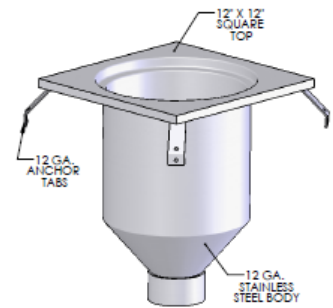


# SDcDS-Q42120-12 Square Deep Sump Drain, 12" Sump Depth

Deep Sump Drains are designed for applications with a continuous heavy flow and/or debris-laden fluids.

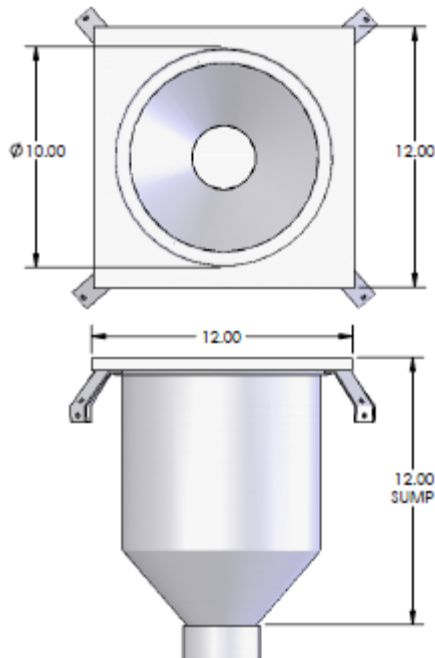
**Typical Applications:** Meat Processing/Packing Plants, Dairies, Food Processing Plants, Beverage or Bottling Plants, Chemical and Hazardous Waste Plants, and Industrial Kitchens.

**ENGINEERING SPECIFICATION:** StainlessDrains.com  
SDcDS-Q42120-12 12" Square Deep Sump Drain, 12" Sump Depth, 12 Gauge, 304 Stainless Steel with sediment basket.



Standard Outlet Size

3" - 4" - 6"



## DRAIN OPTIONS:

- 316 Stainless Steel
- 1/2" Primer Tap Connection
- Double Sediment Basket
- Anchor Flange with Seepage Holes and Clamp Device
- Schedule 10 or Schedule 40 Outlet
- Adjustable Threaded Outlet (*available in 3", 4" or 6"*)
- Side Outlet

## GRATE OPTIONS:

- 12 Gauge Light Duty Perforated Grate
- Medium Duty 1/4" Plate Slotted or Perimeter Gap
- Heavy Duty 1/2" Plate Slotted or Perimeter Gap (*forklift rated*)
- 1/2 Grate
- 3/4 Grate

\*\*\*ALL DIMENSIONS ARE NOMINAL DIMENSIONS AND ARE SUBJECT TO CHANGE\*\*\*

**NOTE:** Deep Sump Drains can be customized to meet specific requirements.

