

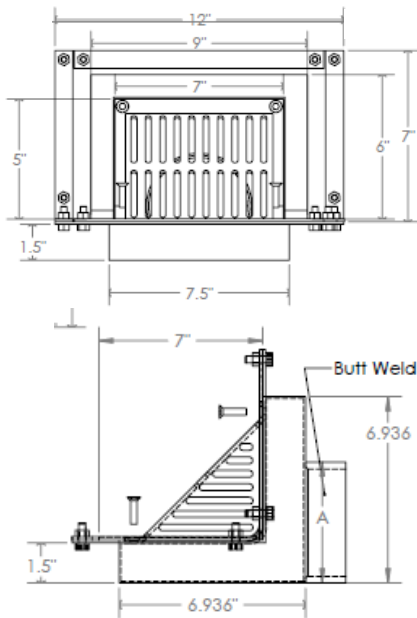
SDcRD-X44-P Parapet Drain

ENGINEERING SPECIFICATION: StainlessDrains.com
SDcRD-X44-P, 5" x 7" Oblique Parapet Drain, 14 gauge sump, 304 stainless steel with frame and membrane clamp device.



Standard Outlet Size

3" - 4" - 6"



***ALL DIMENSIONS ARE NOMINAL DIMENSIONS
AND ARE SUBJECT TO CHANGE***

DRAIN OPTIONS:

- 316 Stainless Steel
- Schedule 10 or Schedule 40 Outlet

GRATE OPTIONS:

- Flush Grate
- Vandal Resistant Secured Grate

NOTE: Parapet Drains can be customized to meet specific requirements.

