

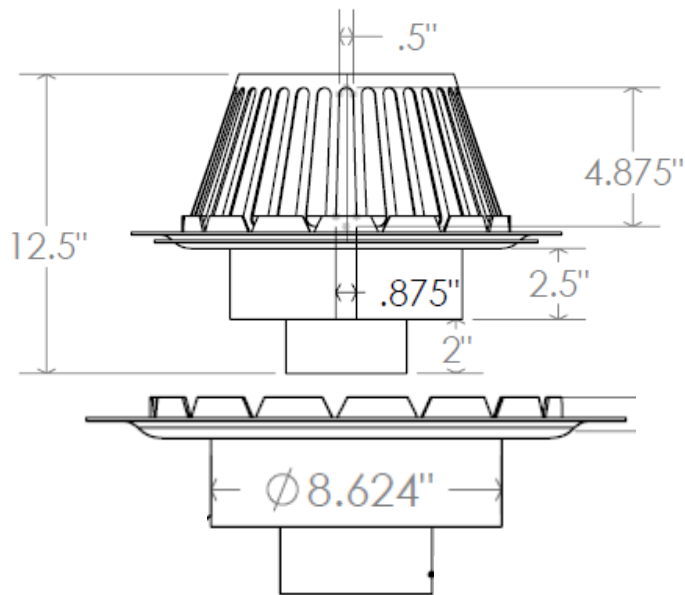
SDcRD-R4X150 15" Diameter Roof Drain

ENGINEERING SPECIFICATION: StainlessDrains.com
SDcRD-R4X150, 15" diameter roof drain, 304 stainless steel body with combination membrane and flashing clamp, gravel guard and stainless steel dome.



Standard Outlet Size

2" - 3" - 4" - 6"



DRAIN OPTIONS:

- 316 Stainless Steel
- Schedule 10 or Schedule 40 Outlet
- Underdeck Clamp
- 2" High External Water Dam

GRATE OPTIONS:

- Vandal Resistant Secured Grate

***ALL DIMENSIONS ARE NOMINAL DIMENSIONS
AND ARE SUBJECT TO CHANGE***

NOTE: Roof Drains can be customized to meet specific requirements.



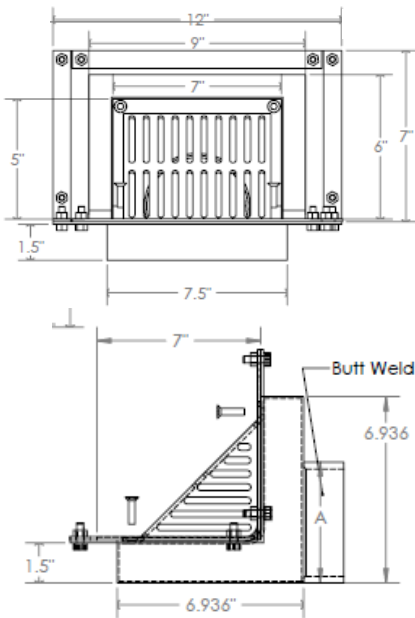
SDcRD-X44-P Parapet Drain

ENGINEERING SPECIFICATION: StainlessDrains.com
SDcRD-X44-P, 5" x 7" Oblique Parapet Drain, 14 gauge sump,
304 stainless steel with frame and membrane clamp device.



Standard Outlet Size

3" - 4" - 6"



***ALL DIMENSIONS ARE NOMINAL DIMENSIONS
AND ARE SUBJECT TO CHANGE***

DRAIN OPTIONS:

- 316 Stainless Steel
- Schedule 10 or Schedule 40 Outlet

GRATE OPTIONS:

- Flush Grate
- Vandal Resistant Secured Grate

NOTE: Parapet Drains can be customized to meet specific requirements.

