

## SDcSN-R42080-LP 8" Round Sanitary Design Drain, Light Duty

Sanitary Design Drains are manufactured without any inside seams or welds. The outlet is designed as an intricate part of the drain body to eliminate harborage points for bacteria growth. All drains meet the U.S. FDA Standards and are corrosion resistant.

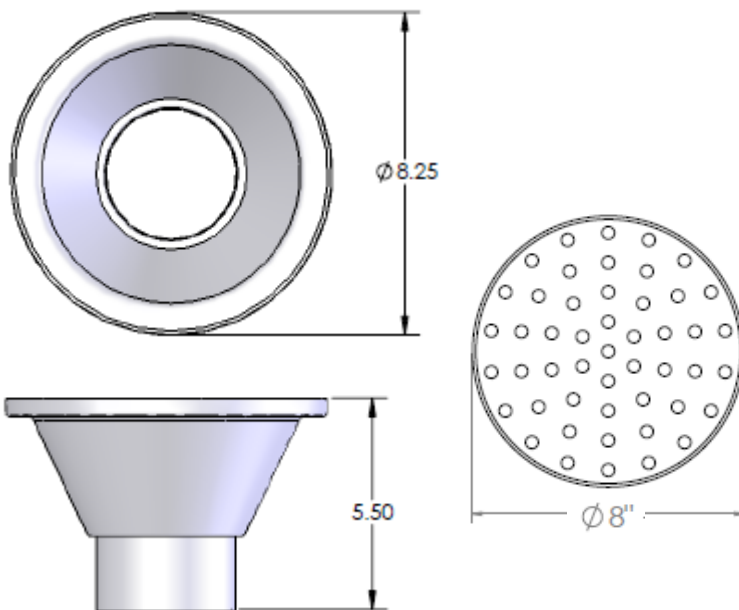
**Typical Applications:** Food and Beverage Manufacturing Plants, Institution and Restaurant Kitchens, Retail Food Preparation Areas and Chemical & Pharmaceutical Processing Plants.

**ENGINEERING SPECIFICATION:** StainlessDrains.com  
SDcSN-R42080-LP, 8" Round Sanitary Design Drain, 12 Gauge, 304 Stainless Steel with sediment basket and perforated grate for light duty applications.



Standard Outlet Size

3" - 4"



\*\*\*ALL DIMENSIONS ARE NOMINAL DIMENSIONS  
AND ARE SUBJECT TO CHANGE\*\*\*

### DRAIN OPTIONS:

- 316 Stainless Steel
- 1/2" Primer Tap Connection
- Schedule 10 or Schedule 40 Outlet
- Anchor Flange with Seepage Holes and Clamp Device
- Adjustable Threaded Outlet

### GRATE OPTIONS:

- 1/2 Grate
- 3/4 Grate
- Vandal Resistant Secured Grate

**NOTE:** Sanitary Drains can be customized to meet specific requirements.



## SDcSN-Q42095-LP 8" Square Sanitary Design Drain, Light Duty

Sanitary Design Drains are manufactured without any inside seams or welds. The outlet is designed as an intricate part of the drain body to eliminate harborage points for bacteria growth. All drains meet the U.S. FDA Standards and are corrosion resistant.

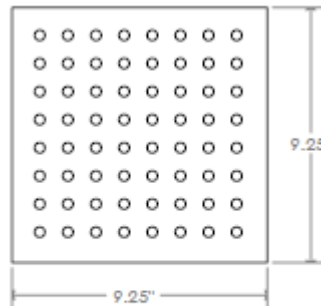
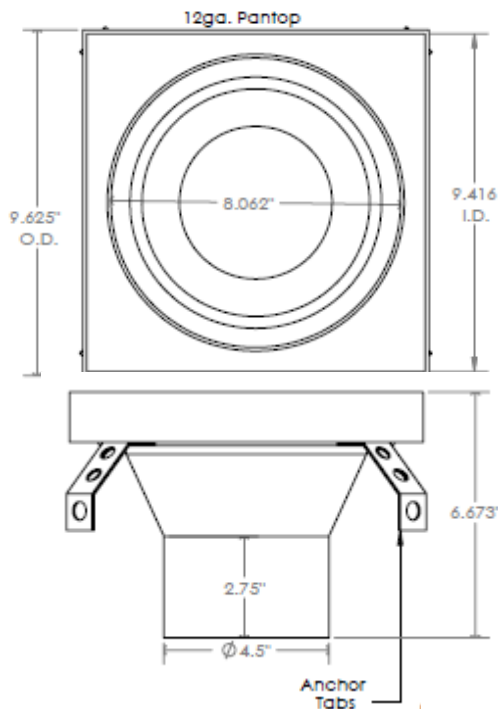
**Typical Applications:** Food and Beverage Manufacturing Plants, Institution and Restaurant Kitchens, Retail Food Preparation Areas and Chemical & Pharmaceutical Processing Plants.

**ENGINEERING SPECIFICATION:** StainlessDrains.com  
SDcSN-Q42095-LP, 8" Square Sanitary Design Drain, 12 Gauge, 304 Stainless Steel with sediment basket and perforated grate for light duty applications.



Standard Outlet Size

3" - 4"



### DRAIN OPTIONS:

- 316 Stainless Steel
- 1/2" Primer Tap Connection
- Schedule 10 or Schedule 40 Outlet
- Anchor Flange with Seepage Holes and Clamp Device
- Adjustable Threaded Outlet

### GRATE OPTIONS:

- 1/2 Grate
- 3/4 Grate
- Vandal Resistant Secured Grate

\*\*\*ALL DIMENSIONS ARE NOMINAL DIMENSIONS AND ARE SUBJECT TO CHANGE\*\*\*

**NOTE:** Sanitary Drains can be customized to meet specific requirements.



## SDcSN-R42105-LP 10" Round Sanitary Design Drain, Light Duty

Sanitary Design Drains are manufactured without any inside seams or welds. The outlet is designed as an intricate part of the drain body to eliminate harborage points for bacteria growth. All drains meet the U.S. FDA Standards and are corrosion resistant.

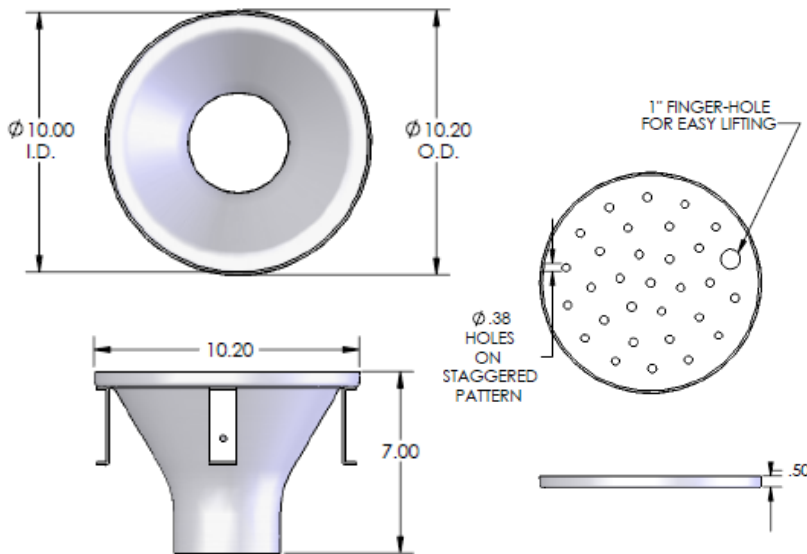
**Typical Applications:** Food and Beverage Manufacturing Plants, Institution and Restaurant Kitchens, Retail Food Preparation Areas and Chemical & Pharmaceutical Processing Plants.

**ENGINEERING SPECIFICATION:** StainlessDrains.com  
SDcSN-R42105-LP, 10" Round Sanitary Design Drain, 12 Gauge, 304 Stainless Steel with sediment basket and perforated grate for light duty applications.



Standard Outlet Size

3" - 4"



### DRAIN OPTIONS:

- 316 Stainless Steel
- 1/2" Primer Tap Connection
- Schedule 10 or Schedule 40 Outlet
- Anchor Flange with Seepage Holes and Clamp Device
- Adjustable Threaded Outlet

### GRATE OPTIONS:

- 1/2 Grate
- 3/4 Grate
- Vandal Resistant Secured Grate

\*\*\*ALL DIMENSIONS ARE NOMINAL DIMENSIONS  
AND ARE SUBJECT TO CHANGE\*\*\*

**NOTE:** Sanitary Drains can be customized to meet specific requirements.



## SDcSN-Q42120-LP 12" Square Sanitary Design Drain, Light Duty

Sanitary Design Drains are manufactured without any inside seams or welds. The outlet is designed as an intricate part of the drain body to eliminate harborage points for bacteria growth. All drains meet the U.S. FDA Standards and are corrosion resistant.

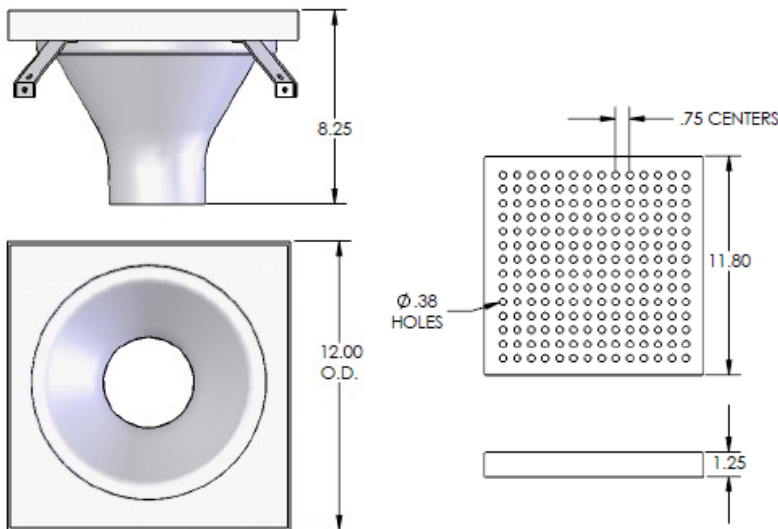
**Typical Applications:** Food and Beverage Manufacturing Plants, Institution and Restaurant Kitchens, Retail Food Preparation Areas and Chemical & Pharmaceutical Processing Plants.

**ENGINEERING SPECIFICATION:** StainlessDrains.com  
SDcSN-Q42120-LP, 12" Square Sanitary Design Drain, 12 Gauge, 304 Stainless Steel with sediment basket and perforated grate for light duty applications.



Standard Outlet Size

3" - 4"



### DRAIN OPTIONS:

- 316 Stainless Steel
- 1/2" Primer Tap Connection
- Schedule 10 or Schedule 40 Outlet
- Anchor Flange with Seepage Holes and Clamp Device
- Adjustable Threaded Outlet

### GRATE OPTIONS:

- 1/2 Grate
- 3/4 Grate
- Vandal Resistant Secured Grate

\*\*\*ALL DIMENSIONS ARE NOMINAL DIMENSIONS  
AND ARE SUBJECT TO CHANGE\*\*\*

**NOTE:** Sanitary Drains can be customized to meet specific requirements.



## SDcSN-R42095 8" Round Sanitary Design Drain, Medium - Heavy Duty

Sanitary Design Drains are manufactured without any inside seams or welds. The outlet is designed as an intricate part of the drain body to eliminate harborage points for bacteria growth. All drains meet the U.S. FDA Standards and are corrosion resistant.

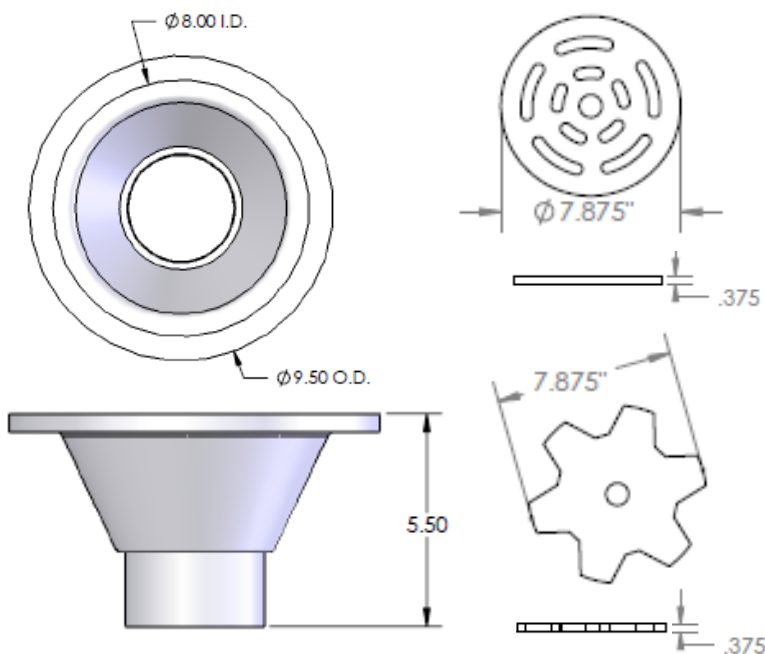
**Typical Applications:** Food and Beverage Manufacturing Plants, Institution and Restaurant Kitchens, Retail Food Preparation Areas and Chemical & Pharmaceutical Processing Plants.

**ENGINEERING SPECIFICATION:** StainlessDrains.com  
SDcSN-R42095, 8" Round Sanitary Design Drain, 12 Gauge, 304 Stainless Steel with sediment basket and grate for medium – heavy duty applications.



Standard Outlet Size

3" - 4"



\*\*\* ALL DIMENSIONS ARE NOMINAL DIMENSIONS AND ARE SUBJECT TO CHANGE \*\*\*

### DRAIN OPTIONS:

- 316 Stainless Steel
- 1/2" Primer Tap Connection
- Schedule 10 or Schedule 40 Outlet
- Anchor Flange with Seepage Holes and Clamp Device
- Adjustable Threaded Outlet

### GRATE OPTIONS:

- Medium Duty 1/4" Plate Slotted or Perimeter Gap
- Heavy Duty 1/2" Plate Slotted or Perimeter Gap
- 1/2 Grate
- 3/4 Grate
- Vandal Resistant Secured Grate
- Hinged Slotted Grate

**NOTE:** Sanitary Drains can be customized to meet specific requirements.



## SDcSN-Q42095 8" Square Sanitary Design Drain, Medium - Heavy Duty

Sanitary Design Drains are manufactured without any inside seams or welds. The outlet is designed as an intricate part of the drain body to eliminate harborage points for bacteria growth. All drains meet the U.S. FDA Standards and are corrosion resistant.

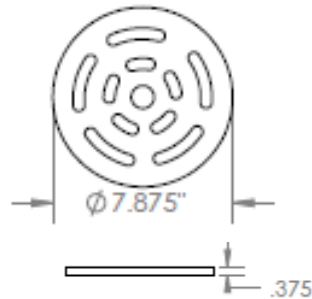
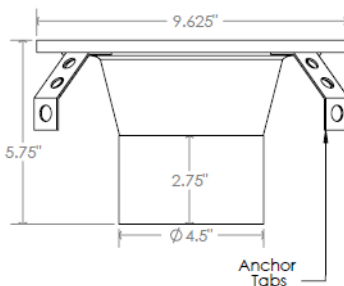
**Typical Applications:** Food and Beverage Manufacturing Plants, Institution and Restaurant Kitchens, Retail Food Preparation Areas and Chemical & Pharmaceutical Processing Plants.

**ENGINEERING SPECIFICATION:** StainlessDrains.com  
SDcSN-Q42095, 8" Square Sanitary Design Drain, 12 Gauge, 304 Stainless Steel with sediment basket and grate for medium – heavy duty applications.



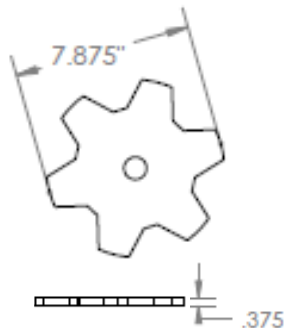
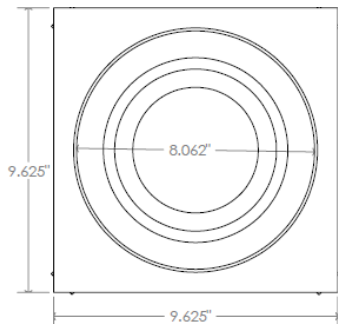
Standard Outlet Size

3" - 4"



### DRAIN OPTIONS:

- 316 Stainless Steel
- 1/2" Primer Tap Connection
- Schedule 10 or Schedule 40 Outlet
- Anchor Flange with Seepage Holes and Clamp Device
- Adjustable Threaded Outlet

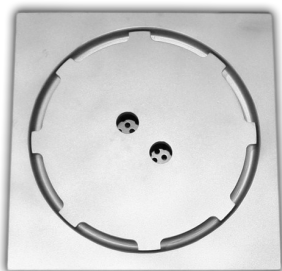


### GRATE OPTIONS:

- Medium Duty 1/4" Plate Slotted or Perimeter Gap
- Heavy Duty 1/2" Plate Slotted or Perimeter Gap
- 1/2 Grate
- 3/4 Grate
- Vandal Resistant Secured Grate
- Hinged Slotted Grate

\*\*\*ALL DIMENSIONS ARE NOMINAL DIMENSIONS AND ARE SUBJECT TO CHANGE\*\*\*

**NOTE:** Sanitary Drains can be customized to meet specific requirements.



## SDcSN-R42120 12" Round Sanitary Design Drain, Medium - Heavy Duty

Sanitary Design Drains are manufactured without any inside seams or welds. The outlet is designed as an intricate part of the drain body to eliminate harborage points for bacteria growth. All drains meet the U.S. FDA Standards and are corrosion resistant.

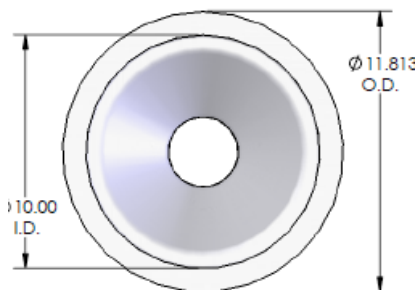
**Typical Applications:** Food and Beverage Manufacturing Plants, Institution and Restaurant Kitchens, Retail Food Preparation Areas and Chemical & Pharmaceutical Processing Plants.

**ENGINEERING SPECIFICATION:** StainlessDrains.com  
SDcSN-R42120, 12" Round Sanitary Design Drain, 12 Gauge, 304 Stainless Steel with sediment basket and grate for medium – heavy duty applications.



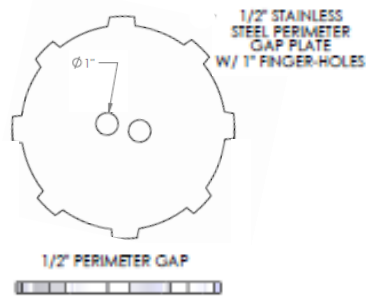
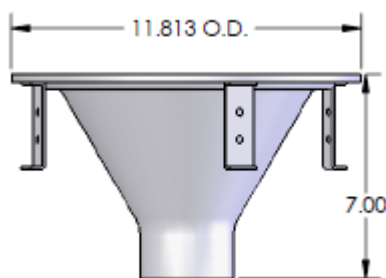
Standard Outlet Size

3" - 4"



### DRAIN OPTIONS:

- 316 Stainless Steel
- 1/2" Primer Tap Connection
- Schedule 10 or Schedule 40 Outlet
- Anchor Flange with Seepage Holes and Clamp Device
- Adjustable Threaded Outlet



### GRATE OPTIONS:

- Medium Duty 1/4" Plate Slotted or Perimeter Gap
- Heavy Duty 1/2" Plate Slotted or Perimeter Gap
- 1/2 Grate
- 3/4 Grate
- Vandal Resistant Secured Grate
- Hinged Slotted Grate

\*\*\* ALL DIMENSIONS ARE NOMINAL DIMENSIONS AND ARE SUBJECT TO CHANGE \*\*\*

**NOTE:** Sanitary Drains can be customized to meet specific requirements.



## SDcSN12-Q42120 12" Square Sanitary Design Drain, Medium - Heavy Duty

Sanitary Design Drains are manufactured without any inside seams or welds. The outlet is designed as an intricate part of the drain body to eliminate harborage points for bacteria growth. All drains meet the U.S. FDA Standards and are corrosion resistant.

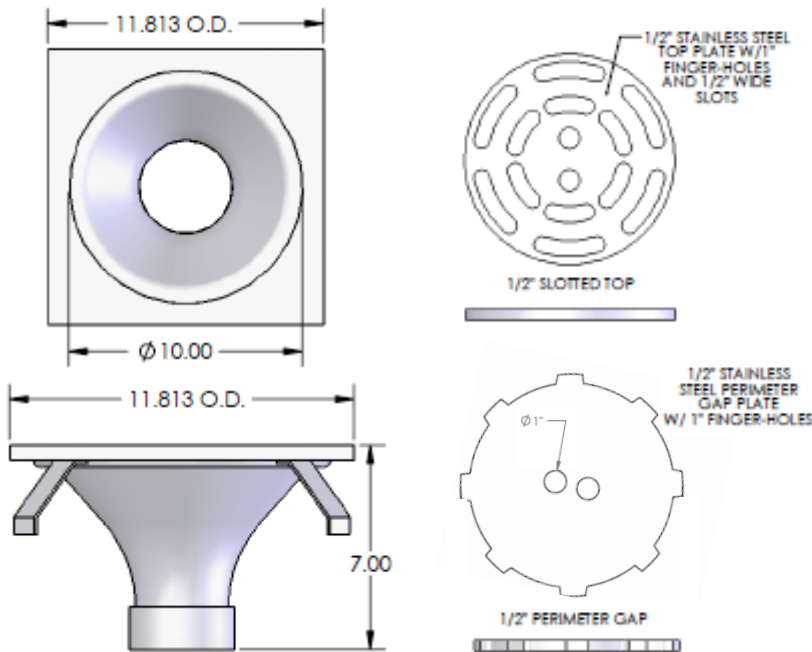
**Typical Applications:** Food and Beverage Manufacturing Plants, Institution and Restaurant Kitchens, Retail Food Preparation Areas and Chemical & Pharmaceutical Processing Plants.

**ENGINEERING SPECIFICATION:** StainlessDrains.com  
SDcSN-Q42120, 12" Square Sanitary Design Drain, 12 Gauge, 304 Stainless Steel with sediment basket and grate for medium – heavy duty applications.



Standard Outlet Size

3" - 4"



### DRAIN OPTIONS:

- 316 Stainless Steel
- 1/2" Primer Tap Connection
- Schedule 10 or Schedule 40 Outlet
- Anchor Flange with Seepage Holes and Clamp Device
- Adjustable Threaded Outlet

### GRATE OPTIONS:

- Medium Duty 1/4" Plate Slotted or Perimeter Gap
- Heavy Duty 1/2" Plate Slotted or Perimeter Gap
- 1/2 Grate
- 3/4 Grate
- Vandal Resistant Secured Grate
- Hinged Slotted Grate

\*\*\*ALL DIMENSIONS ARE NOMINAL DIMENSIONS AND ARE SUBJECT TO CHANGE\*\*\*

**NOTE:** Sanitary Drains can be customized to meet specific requirements.

